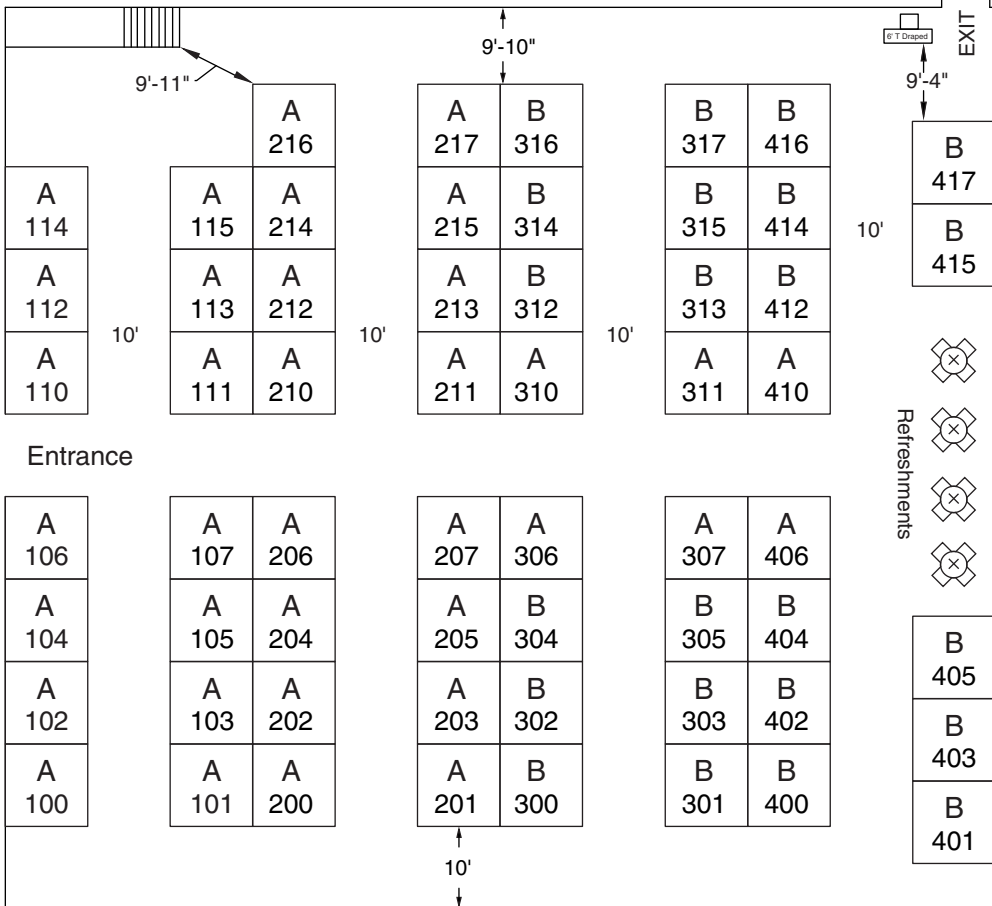


ASSA
Registration
Area



Entrance

Exhibitor
Registration

Refreshments

EXIT

9'-4"

10'

10'

9'-10"

9'-11"

10'

10'

10'

B 401

B 403

B 405

B 417

B 415

B 301

B 303

B 305

B 307

B 400

B 402

B 404

B 406

A 201

A 203

A 205

A 207

A 101

A 103

A 105

A 107

A 100

A 102

A 104

A 106

A 210

A 212

A 214

A 216

A 110

A 112

A 114

A 111

A 113

A 115

A 210

A 212

A 214

A 216

A 310

A 312

A 314

A 316

B 311

B 313

B 315

B 317

B 410

B 412

B 414

B 416

⊗

⊗

⊗

⊗

9'-4"

9'-4"

9'-4"

9'-4"

9'-4"

9'-4"

9'-4"

9'-4"

9'-4"

9'-4"

9'-4"

9'-4"

9'-4"

9'-4"

9'-4"

9'-4"

9'-4"

9'-4"

9'-4"

9'-4"

9'-4"

9'-4"

9'-4"